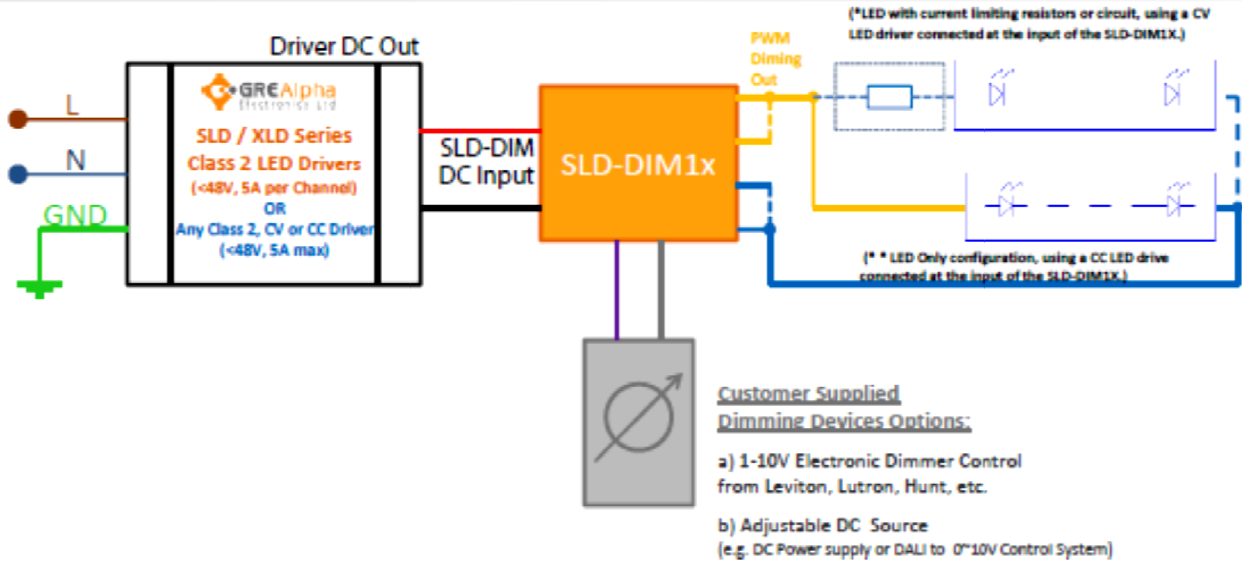


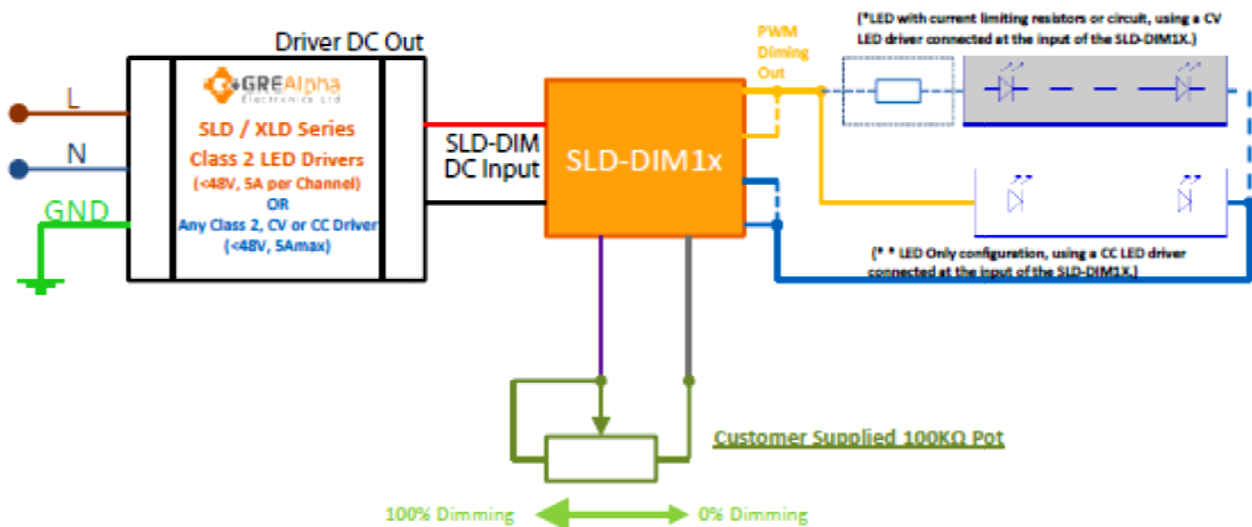
SLD-DIM1X Configuration Arrays and Wiring

SLD-DIM1x Configuration Arrays using 1-10V Dimmer or Adjustable DC Source Control Option



** Note alternate simple on-off operation:
- Connecting the Purple and Grey wires together will provide 0% brightness.
- Leave Purple and Grey wires open will provide 100% brightness.

SLD-DIM1x Configuration Arrays using Potentiometer Control Option



** Note alternate simple on-off operation:
- Connecting the Purple and Grey wires together will provide 0% brightness.
- Leave Purple and Grey wires open will provide 100% brightness.

The GRE Alpha logo is a registered trademark of GRE Alpha Electronics Ltd.

All other names are the property of their respective owners

Copyright c 2012 GRE Alpha. All rights reserved. Reproduction in whole or in part without permission is prohibited